

EASY



EASY 20 R+ Bottle top dispenser with recirculation

Please read the User Manual carefully before use, and follow all operating and safety instructions!



user manual

english, español, français

User Manual



EASY 20 R+

Bottle top dispenser with recirculation

Preface

Users should read this Manual carefully, follow the instructions and procedures, and beware of all the cautions when using this instrument.

Service

If help is needed, you can always contact your dealer or Labbox via www.labbox.com (declare an incidence)

Please, provide the customer service representative with the following information:

- Serial number
- Description of the problem
- Your contact information

Warranty

This instrument is guaranteed to be free from defects in materials and workmanship under normal use and service, for a period of 24 months from the date of invoice. The warranty is extended only to the original purchaser. It shall not apply to any product or parts which have been damaged on account of improper installation, improper connections, misuse, accident or abnormal conditions of operation.

For claim under the warranty, please contact your supplier.

Safety Instructions

Please read the instruction manual carefully before using the dispenser. Although we have tried to cover maximum safety instructions, this manual cannot describe all possible safety hazards. It is responsibility of the user to establish their own safety, health practices and determining the applicability of regulatory limitation prior to the usage of dispenser.

Please follow below safety instructions carefully:

- Please understand all the details in manual before you start using instrument.
- Please use protective clothing, eye protection glasses and gloves while working with hazardous liquids.
- Please do not dispense inflammable media into plastic vessels which generates static charge.
- This device is not suitable for the below solutions.
- Concentrated (Hydrochloric Acid, Fluorinated Hydrocarbons, Saline Solutions, Nitric Acid), Highly Concentrated Alkaline Solution and Crystallizing Solution. The liquids attacking FEP, PFA, PTFE, Borosilicate Glass, Al₂O₃, Organic Solvents, Trifluoroacetic Acid, Explosive liquids, Fuming Acids, Tetrahydrofuran, Suspension (e.g. of charcoal) as solid particles.
- Please handle the dispenser carefully to avoid any accident during usage.
- The nozzle should always point away from the user while dispensing. Avoid splashes.
- Always use suitable vessels for dispensing liquids.
- Never push down the piston while nozzle cap is on.
- It is recommended to clean the discharge tube regularly.
- Please do not give excess pressure while aspirating or dispensing. The glass tube may break inside. Please follow trouble shooting guide if you find any difficulty in moving the piston up and down.

Intended Use

EASY liquid handling instrument and their accessories are designed and constructed for accurate and precise liquid handling, specially of samples from the human body within the scope of in-vitro diagnostic application, in order to allow the in-vitro diagnostic medical device to be used as intended.

Bottle top dispensers are generally used for dispensing of small volumes of liquid, repetitively and safely from a liquid bottle.

Our dispensers are made up of high-grade engineering plastics like PFA, FEP, PTFE etc. which ensures high performance and adaptability to use more liquids.

In addition to ensure high accuracy, true bore glass cylinder is used in the dispenser.

These dispensers can be easily cleaned. Its lower part is also autoclavable to avoid contamination.

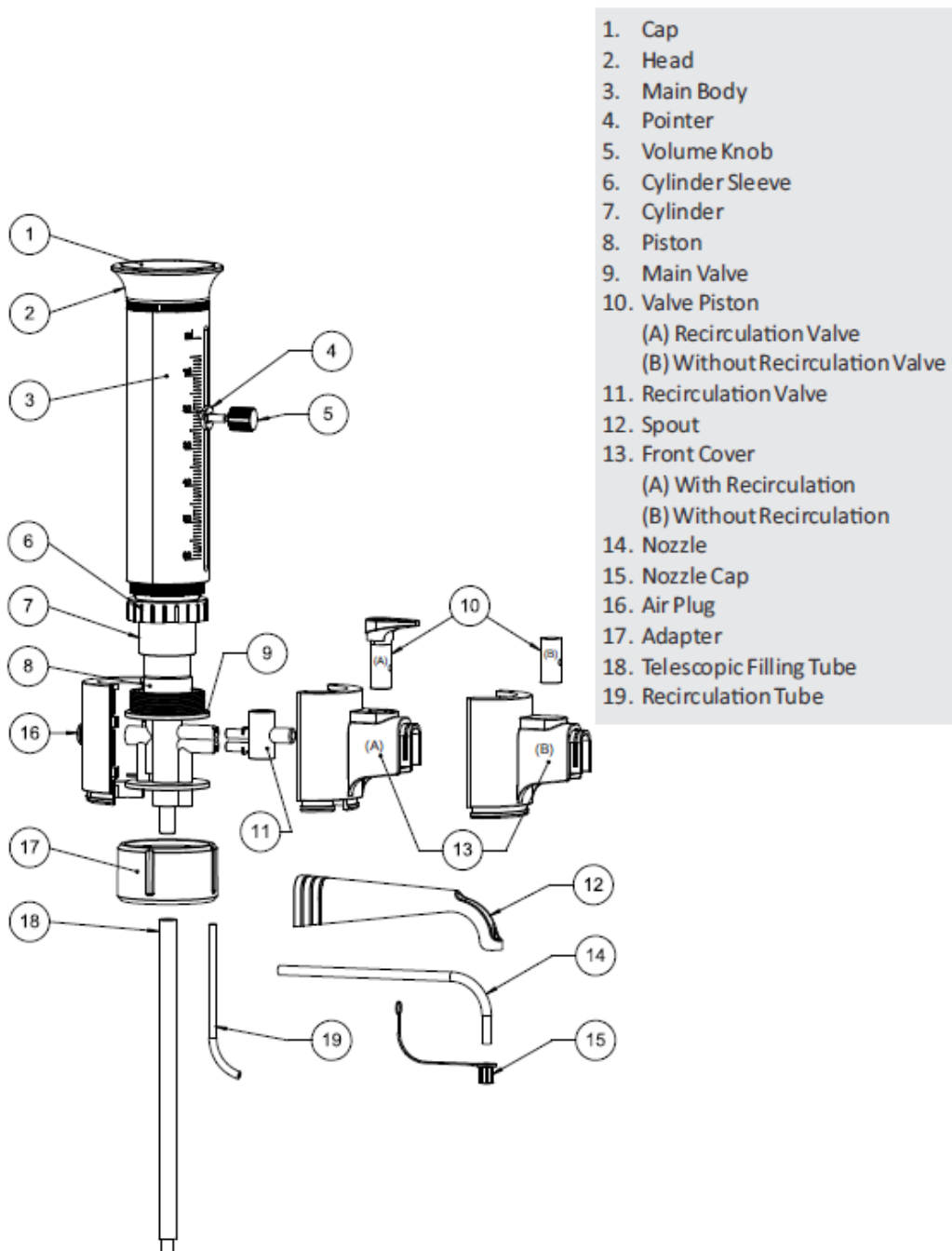
Functions


This instrument is designed for dispensing liquids observing the following limits.

- +15°C to 40 °C (59 °F to 104 °F) instrument and reagent.
- Vapor pressure up to 500 mbar.
- Density up to 2.2 g/cm³
- Kinematic viscosity up to 500 mm²/sec.

(dynamic viscosity [mPas]=Kinematic Viscosity [mm² /s]xdensity[g/cm³])

Overview



 **Note** : Recirculation tube should be used only in dispenser with recirculation valve mechanism.

Package inclusions

The bottle top dispenser package includes following :-

- Bottle top dispenser - 1
- Telescopic filling tube - 1
- Recirculation tube - 1*
- Bottle adapters - 4 (Thread sizes : 28, 38, 40 & 45mm)
- Calibration tool - 1
- User manual
- Certificate of conformity / Calibration report
- Warranty card

* This accessory is available only with recirculation valve product.

Assembly

1. Mounting the telescopic filling tube/recirculation tube

Adjust length of the telescoping filling tube to the bottle height and attach it carefully in center. If dispenser with recirculation valve mechanism is used, the optional recirculation tube should also be installed. Insert it with opening pointing outward (Fig 1).

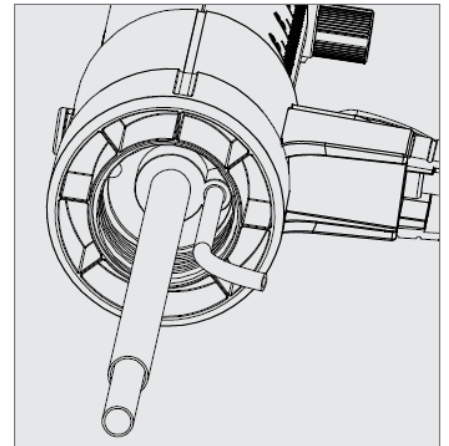


Fig.1

2. Mounting the dispenser on a bottle

Screw the dispenser (GL 32 threads) onto the reagent bottle and ensure to tighten it properly. It is preferable to align the nozzle with graduation mark on main body.

Note: For bottles with other thread sizes, select a suitable adapter.

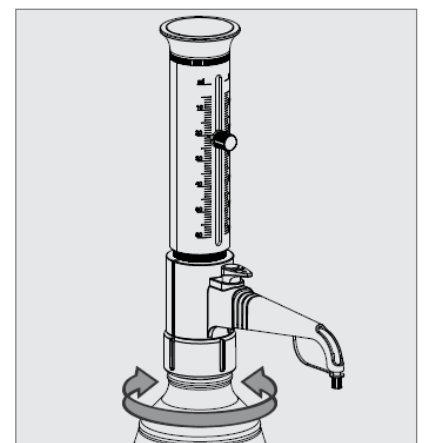



Fig.2

 **Note** : For bottles with other thread sizes, select a suitable adapter.

The adapters supplied with the dispenser are made of polypropylene (PP), and can only be used for media which do not attack PP.

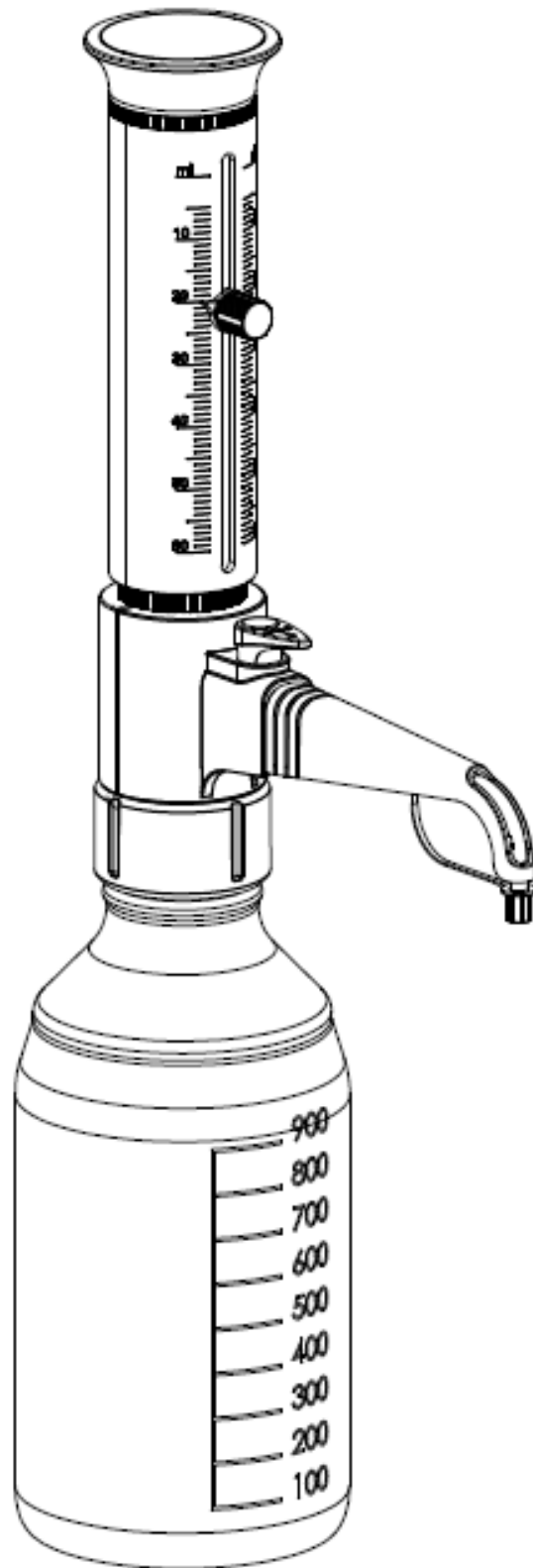


Fig.3

⚠ WARNING

Always wear protective gloves when touching the dispenser or the bottle, especially when using dangerous liquids.

When mounted to a reagent bottle, always carry the dispenser as shown in Fig.3

Priming - Bottle top dispenser with recirculation mechanism

WARNING

The nozzle should always point away from the user. Please ensure one should never press down the the piston when the nozzle cap is mounted. Avoid splashing.

Please follow below steps for priming:

1. Adjust the knob to recirculation mode. (Fig.5)
2. Slowly pull up the piston and push it down rapidly till the end. Repeat this process until air bubbles disappear from the cylinder. (Fig.6)
3. Readjust the knob to dispense.

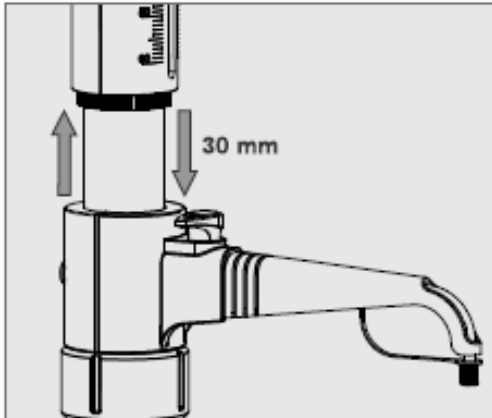


Fig.6

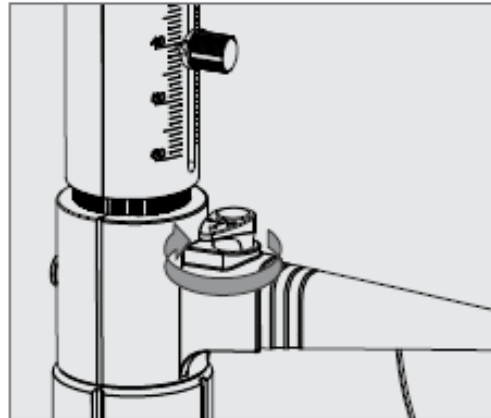


Fig.5

Operating Instructions

Volume setting

Please follow below steps for volume setting:

- 1) Turn the volume setting knob in an anti-clockwise direction.
- 2) Adjust the knob to desired volume by moving it up or down.
- 3) Match the pointer with the graduation mark and tighten the knob in clock wise direction.

Now your dispenser is ready to work at your desired set volume. (Fig.8)

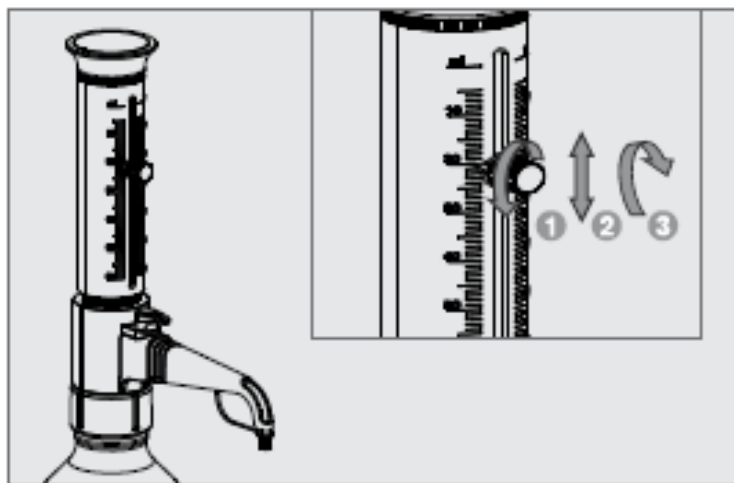


Fig.8

Dispensing

WARNING

Please follow all safety instructions before you start.

Please follow below steps for dispensing liquids:

1. Please follow priming process before you start (as shown in Priming).
2. Turn the knob to dispensing.
3. Keep a vessel below the nozzle.
4. Set your desired volume (as shown in Volume setting).
5. Gently pull the piston until the upper stop and then push down the piston until lower stop.
6. Touch the nozzle against the inner wall of the receiving vessel. Repeat this process as per number of dispensing cycles required.
7. Close the nozzle cap to the nozzle.



Note : Do not give excess force while pushing down the piston. If you feel the piston is jammed, please follow trouble shooting guide (12).

Before you fix the nozzle cap, please ensure that the piston is at lower stop.

One can observe slight sound during aspirating the liquid and on shaking the dispenser as a result of ball design.

Cleaning

Please make sure to clean the dispenser regularly for its smooth functioning. In following conditions, cleaning must be done.

- When the piston is stuck inside the glass tube
- Before changing of reagents
- Before longer downtime
- Before autoclaving process
- Before any maintenance




Please make sure to wear suitable eye protection glasses and protective clothing.

Please follow below steps for cleaning:

1. Completely dispense out the liquid present inside the dispenser.
2. Mount the dispenser on a bottle filled with deionized water or any other suitable cleaning agent and rinse the dispenser several times.
3. Pull off the telescopic tube and recirculation tube and clean it with the deionized water.
4. In case of recirculation, change the knob position to recirculation mode. Again rinse the dispenser for several times.

Please follow below steps to clean the piston and glass barrel:

 This procedure must be followed if the piston is difficult to move or if dispenser is to be autoclaved.

1. Unscrew the head as shown in Fig. 9
2. Take out the piston completely as shown in Fig. 10

Clean the piston & glass barrel and put them back in their original position and screw back the head

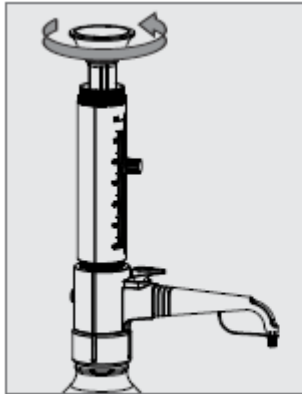


Fig. 9

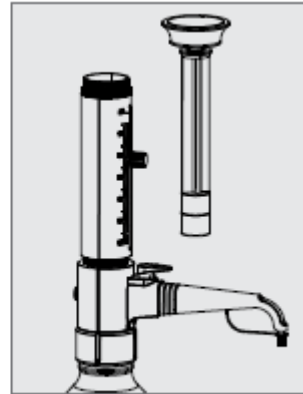


Fig. 10

Error Limits

Error limits related to the nominal capacity (= maximum volume) indicated on the instrument, are obtained when instrument and distilled water are equilibrated at ambient temperature (20°C/68°F). The calibration process is performed as per the EN ISO 8655-6 standard with a completely assembled instrument and uniform dispensing.

Volume (ml)	Increment (ml)	Inaccuracy (±) %		Imprecision (±) %	
		± %	± ml	± %	± ml
0.5 - 5	0.1	0.5	0.025	0.2	0.01
1 - 10	0.2	0.5	0.05	0.2	0.02
2.5 - 25	0.5	0.5	0.125	0.2	0.05
5 - 50	1.0	0.5	0.25	0.2	0.1

* The specifications (inaccuracy and imprecision) are decided on the basis of EN ISO 8655-5 standard.

Calibration

WARNING

During calibration process one has to take the reading at lowest volume first, ensure not to move the body before you close the cap and then proceed to the medium and high volume.

Calibration check

1. Please follow complete calibration procedure given in EN ISO 8655-5 manual like environment conditions, water, weighing balance etc.

Volume adjustment

Please follow below steps to calibrate the bottle top dispenser if there is a variation in the desired volume and actual volume:-

1. Open the cap with calibration tool as shown in Fig. 11
2. Insert the hex tool on hex nut as shown in Fig. 12
3. Rotate the hex tool in clockwise direction to decrease the volume, rotate the hex tool in anti clockwise direction to increase the volume.
4. Take out the hex tool and close the cap.

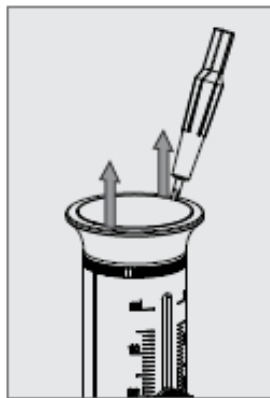


Fig. 11

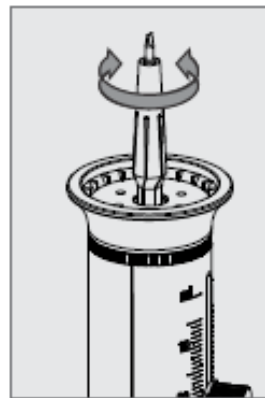


Fig. 12

Autoclaving

This dispenser is autoclavable in following conditions.

Temperature:	120°C / 250° Fahrenheit
Pressure:	1.05 bar / 15 psi (pounds)
Time:	20 minutes or less

WARNING

Exceeding the above conditions will damage the parts.

Please follow below steps to autoclave the dispenser:-

1. Clean the dispenser thoroughly as described in cleaning section before you start autoclaving.
2. Take out following parts :-
 - a) Pull out the piston by unscrewing the head
 - b) Pull off the nozzle cap and telescopic filling tube
3. Autoclave all the parts as per above procedure.
4. Cool down the parts for atleast 8 hours in room temperature and then reassemble the parts.
5. Now the dispenser is ready to be used.

Troubleshooting

Troubleshooting		
Issue	Possible root cause	Corrective action
Piston jam	Formation of crystals or dirt accumulation	Immediately stop dispensing. Do not give extra force to dispense the liquid. Follow
Liquid filling / dispensing issue	Valve piston contaminated or dirt accumulation	Follow cleaning procedure (8.cleaning)
Air bubble in the dispenser	Liquid with high vapor pressure has been drawn in too quickly	Try to draw the liquid slowly
	Priming issue	Prime the instrument
	Fitting of telescopic filling tube is loose	Connect the tube firmly
	Recirculation tube fitting is loose	Connect the recirculation tube firmly
Leakage	Recirculation tube is not connected	Connect the recirculation tube

Recommended Reagents: EASY 20 R+

Below is a list of suitable reagents to work with the bottle top dispenser:

Acetaldehyde
Acetic acid (glacial), 100%
Acetic acid, $\leq 96\%$
Acetic anhydride
Acetone
Acetonitrile
Acetophenone
Acetyl chloride
Acetylacetone
Acrylic acid
Acrylonitrile
Adipic acid
Allyl alcohol
Aluminium chloride
Amino acids
Ammonia, $\leq 20\%$
Ammonia, 20-30%
Ammonium chloride
Ammonium fluoride
Ammonium sulfate
n-Amyl acetate
Amyl alcohol (Pentanol)
Amyl chloride (Chloropentane)
Aniline
Barium chloride
Benzaldehyde
Benzene (Benzol)
Benzine (Petroleum benzene) bp 70-180 °C
Benzoyl chloride
Benzyl alcohol
Benzylamine
Benzylchloride
Boric acid, $\leq 10\%$
Bromobenzene
Bromonaphthalene
Butanediol
1-Butanol
n-Butyl acetate

Butyl methyl ether
Butylamine
Butyric acid
Calcium carbonate
Calcium chloride
Calcium hydroxide
Calcium hypochlorite
Carbon tetrachloride
Chloro naphthalene
Chloroacetaldehyde, $\leq 45\%$
Chloroacetic acid
Chloroacetone
Chlorobenzene
Chlorobutane
Chloroform
Chlorosulfonic acid
Chromic acid, $\leq 50\%$
Chromosulfuric acid
Copper sulfate
Cresol
Cumene (Isopropyl benzene)
Cyclohexane
Cyclohexanone
Cyclopentane
Decane
1-Decanol
Dibenzyl ether
Dichloroacetic acid
Dichlorobenzene
Dichloroethane
Dichloroethylene
Dichloromethane
Diesel oil (Heating oil), bp 250-350 °C
Diethanolamine
Diethyl ether
Diethylamine
1,2 Diethylbenzene
Diethylene glycol

Dimethyl sulfoxide (DMSO)
Dimethylaniline
Dimethylformamide (DMF)
1,4 Dioxane
Diphenyl ether
Essential oil
Ethanol
Ethanolamine
Ethyl acetate
Ethylbenzene
Ethylene chloride
Fluoroacetic acid
Formaldehyde, ≤40%
Formamide
Formic acid, ≤100%
Glycerol
Glycol (Ethylene glycol)
Glycolic acid, ≤50%
Heating oil (Diesel oil), bp 250-350 °C
Heptane
Hexane
Hexanoic acid
Hexanol
Hydriodic acid, ≤57%
Hydrobromic acid
Hydrochloric acid, ≤20%
Hydrochloric acid, 20-37%
Hydrogen peroxide, ≤35%
Isoamyl alcohol
Isobutanol
Isooctane
Isopropanol (2-Propanol)
Isopropyl ether
Lactic acid
Methanol
Methoxybenzene
Methyl benzoate
Methyl butyl ether
Methyl ethyl ketone

Methyl formate
Methyl propyl ketone
Methylene chloride
Mineral oil (Engine oil)
Monochloroacetic acid
Nitric acid, ≤30%
Nitrobenzene
Oleic acid
Oxalic acid
n-Pentane
Peracetic acid
Perchloric acid
Perchloroethylene
Petroleum, bp 180-220 °C
Petroleum ether, bp 40-70 °C
Phenol
Phenylethanol
Phenylhydrazine
Phosphoric acid, ≤85%
Phosphoric acid, 85%
Sulfuric acid, 98% 1:1
Piperidine
Potassium chloride
Potassium dichromate
Potassium hydroxide
Potassium permanganate
Propionic acid
Propylene glycol (Propanediol)
Pyridine
Pyruvic acid
Salicylaldehyde
Scintillation fluid
Silver acetate
Silver nitrate
Sodium acetate
Sodium chloride
Sodium dichromate
Sodium fluoride
Sodium hydroxide, ≤30%
Sodium hypochlorite

EASY

Sulfuric acid, $\leq 98\%$
Tartaric acid
Tetrachloroethylene
Tetramethylammonium hydroxide
Toluene
Trichloroacetic acid
Trichlorobenzene
Trichloroethane
Trichloroethylene
Trichlorotrifluoro ethane
Triethanolamine
Triethylene glycol
Trifluoro ethane
Trifluoroacetic acid (TFA)
Turpentine
Urea
Xylene
Zinc chloride, $\leq 10\%$
Zinc sulfate, $\leq 10\%$

⚠ CAUTION:-

Always follow instructions in the operating manual of the dispenser as well as the reagent manufacturer's specifications. In addition to these chemicals, a variety of organic and inorganic saline solutions (e.g., biological buffers), biological detergents and media for cell culture can be dispensed. If used with strong acids, it is advised to rinse & remove dispenser at the end of every working day & store it safely. If require information on chemicals not listed, please contact us.

Nota importante para los aparatos electrónicos vendidos en España
Important note for electronic devices sold in Spain
Remarque importante pour les appareils électroniques vendus en Espagne

Instrucciones sobre la protección del medio ambiente y la eliminación de aparatos electrónicos:



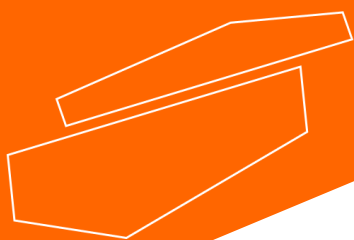
Los aparatos eléctricos y electrónicos marcados con este símbolo no pueden desecharse en vertederos.
De conformidad con la Directiva 2002/96/ CE, los usuarios de la Unión Europea de aparatos eléctricos y electrónicos, tienen la oportunidad de retornar el instrumento para su eliminación al distribuidor o fabricante del equipo después de la compra de uno nuevo. La eliminación ilegal de aparatos eléctricos y electrónicos es castigada con multa administrativa.

Nota importante para los aparatos electrónicos vendidos en Francia
Important note for electronic devices sold in France
Remarque importante pour les appareils électroniques vendus en France

Informations sur la protection du milieu environnemental et élimination des déchets électroniques :



Les appareils électriques et électroniques portant ce symbole ne peuvent pas être jetés dans les décharges.
En réponse à la réglementation, Labbox remplit ses obligations relatives à la fin de vie des équipements électriques de laboratoire qu'il met sur le marché en finançant la filière de recyclage de Réylum dédiée aux DEEE Pro qui les reprend gratuitement (plus d'informations sur www.recylum.com).
L'élimination illégale d'appareils électriques et électroniques est punie d'amende administrative.



www.labbox.com